

**Product features**

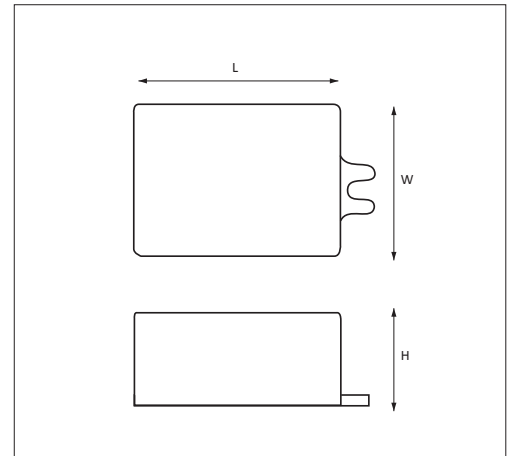
- Installation: Built-in
- Supply connection: Terminal block wire leads
- Load connection: Series connection
- Short circuit protection: Thermal protection



**Standards**

- Magnetic Emission EN 55015
- Harmonic EN 61000-3-2
- Flicker EN61000-3-3. Immunity EN 61547
- Safety IEC61347-1, IEC61347-2-13.

**Dimensions**



Art No	Power	Constant Current	Operating Voltage Range	Input Voltage	Power Factor	Function	Dimension	IP
LT3X1C0350LS	3X1W	350mA	3-10.5V	100-240 VAC	0.5	ON/OFF	50x40.8x21.5	IP 20
LT006C0350SS	6W	350mA	8.5-17.5V	220-240 VAC	0.5	ON/OFF	52x43.5x22	IP 20
LT006C0500SS	6W	500mA	6-12V	220-240 VAC	0.5	ON/OFF	52x43.5x22	IP 20
LT006C0700SS	6W	700mA	5.5-11V	220-240 VAC	0.5	ON/OFF	52x43.5x22	IP 20
LT009C0200SS	9W	200mA	22-45V	220-240 VAC	0.5	ON/OFF	52x43.5x22	IP 20
LT009C0350SS	9W	350mA	13-26V	220-240 VAC	0.5	ON/OFF	52x43.5x22	IP 20
LT009C0500SS	9W	500mA	9-18V	220-240 VAC	0.5	ON/OFF	52x43.5x22	IP 20
LT009C0700SS	9W	700mA	6-12V	220-240 VAC	0.5	ON/OFF	52x43.5x22	IP 20