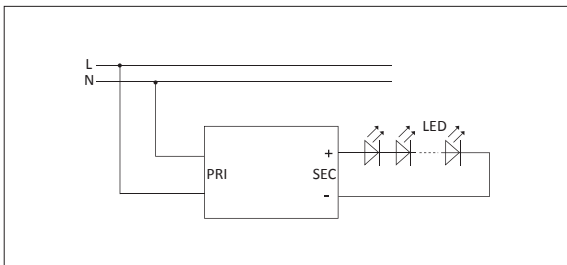


**Product features**

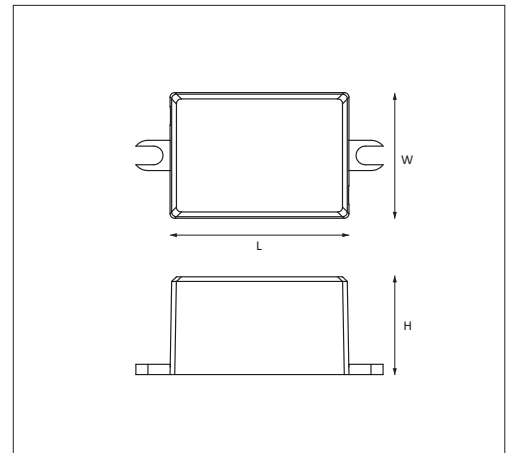
- Super Compact design
- Universal AC input
- Primary and secondary sides come with leads
- Open circuit, Short circuit, Over load and over heating Protection
- simple installation
- IP 65 Design



**Wiring Diagram**



**Dimensions**



**Standards**

- EN 61347-1
- EN 61347-2-13
- EN 55015
- EN 61000-3-2
- EN 61000-3-3
- EN 61547

Art No	Power	Output Current	Output Voltage	Input Voltage	Power Factor	Ambient Temperature	Function	Dimension (mm)	IP
LT004C0350MN	4W	350mA	2-8 VDC	100-240 VAC	≥0.4	-20-50 °C	ON/OFF	38x27x21	IP 65
LT004C0600MN	4W	600mA	2.8-7 VDC	100-240 VAC	≥0.4	-20-50 °C	ON/OFF	38x27x21	IP 65
LT004C0700MN	4W	700mA	2-12 VDC	100-240 VAC	≥0.4	-20-50 °C	ON/OFF	38x27x21	IP 65

