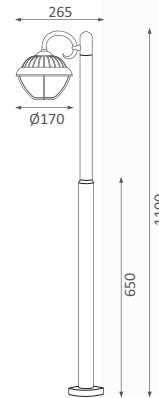


LB1575

SMD LED
 POWER: 91X0.2W
 CURRENT: 220-240 VAC
 CRI: 80
 OUTPUT: 465lm/ 3000K
 LED LIFE TIME: 35,000Hrs
 Material: Aluminum die-casting body
 Powder coated, smooth and aging resistant
 Diffuser: Opal PC

3000K WW	4500K NW	6500K CW	Diffused
WBK	SLV	WSG	WWH

CE IP44

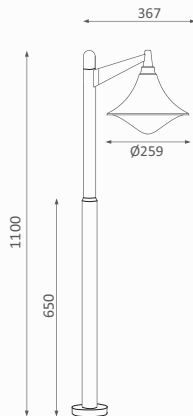
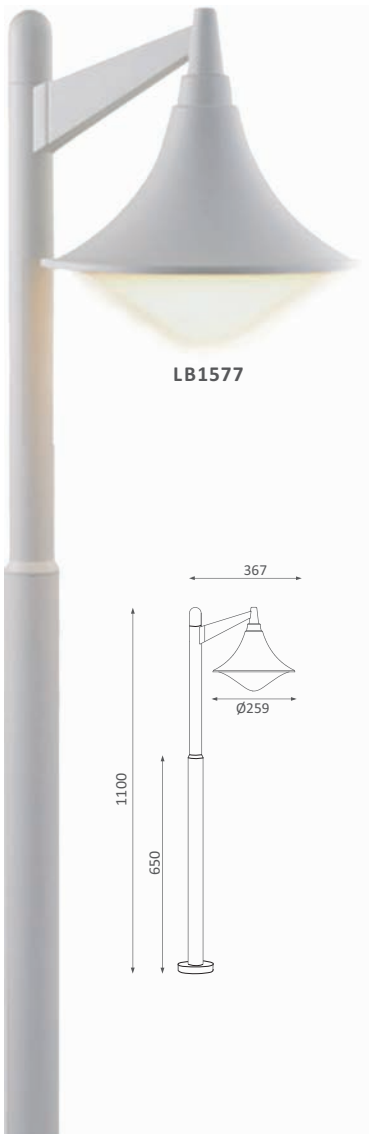


LB1576

SMD LED
 POWER: 91X0.2W
 CURRENT: 220-240 VAC
 CRI: 80
 OUTPUT: 465lm/ 3000K
 LED LIFE TIME: 35,000Hrs
 Material: Aluminum die-casting body
 Powder coated, smooth and aging resistant
 Diffuser: Opal PC

3000K WW	4500K NW	6500K CW	Diffused
WBK	SLV	WSG	WWH

CE IP44



LB1577

SMD LED
 POWER: 91X0.2W
 CURRENT: 220-240 VAC
 CRI: 80
 OUTPUT: 526lm/ 3000K
 LED LIFE TIME: 35,000Hrs
 Material: Aluminum die-casting body
 Powder coated, smooth and aging resistant
 Diffuser: Opal PC

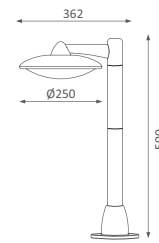
3000K WW	4500K NW	6500K CW	Diffused
WBK	SLV	WSG	WWH

CE IP44



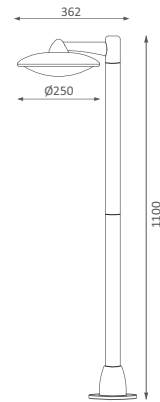
LB1578

SMD LED
 POWER: 91X0.2W
 CURRENT: 220-240 VAC
 CRI: 80
 OUTPUT: 525lm/ 3000K
 LED LIFE TIME: 35,000Hrs
 Material: Aluminum die-casting body
 Powder coated, smooth and aging resistant
 Diffuser: Opal PC



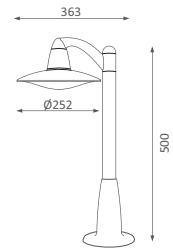
LB1579

SMD LED
 POWER: 91X0.2W
 CURRENT: 220-240 VAC
 CRI: 80
 OUTPUT: 525lm/ 3000K
 LED LIFE TIME: 35,000Hrs
 Material: Aluminum die-casting body
 Powder coated, smooth and aging resistant
 Diffuser: Opal PC



**LB1580**

SMD LED
 POWER: 91X0.2W
 CURRENT: 220-240 VAC
 CRI: 80
 OUTPUT: 546lm/ 3000K
 LED LIFE TIME: 35,000Hrs
 Material: Aluminum die-casting body
 Powder coated, smooth and aging resistant
 Diffuser: Opal PC

**LB1581**

SMD LED
 POWER: 91X0.2W
 CURRENT: 220-240 VAC
 CRI: 80
 OUTPUT: 546lm/ 3000K
 LED LIFE TIME: 35,000Hrs
 Material: Aluminum die-casting body
 Powder coated, smooth and aging resistant
 Diffuser: Opal PC

