

LED Constant Current Driver

Product features

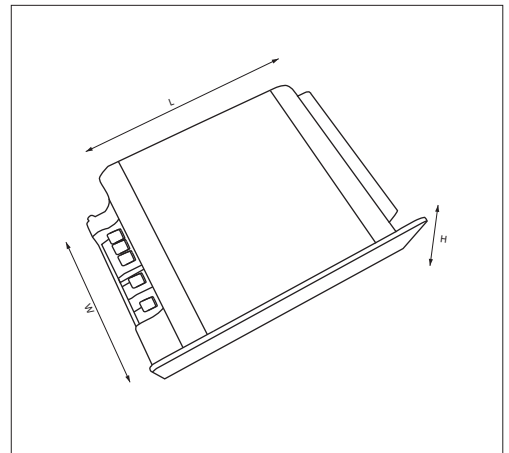
- Installation : Built in
- Power supply connection : Terminal block
- Load connection : Series connection
- Protection : Short circuit protection



Standards

- Magnetic Emission EN 55015
- Harmonic standard EN 61000-3-2
- Flicker standard EN 61000-3-3.
- Immunity : EN 61547
- Safety standard : IEC61347-1, IEC61347-2-13

Dimensions



Art No	Power	Constant Current	Operating Voltage range	Input Voltage	Power Factor	Efficiency	Function	Dimension (mm)	IP
LT025C0350SS	25W	350mA	48-72V	220-240 VAC	>0.9	≥88%	ON/OFF	106x67.5x22	IP 20
LT025C0500SS	25W	500mA	33-55V	220-240 VAC	>0.9	≥87%	ON/OFF	106x67.5x22	IP 20
LT035C0500SS	35W	500mA	46-70V	220-240 VAC	>0.9	≥88%	ON/OFF	107.5x76x30	IP 20
LT035C0700SS	35W	700mA	33-50V	220-240 VAC	>0.9	≥87%	ON/OFF	107.5x76x30	IP 20
LT035C1400SS	35W	1400mA	16-25V	220-240 VAC	>0.9	≥85%	ON/OFF	107.5x76x30	IP 20
LT050C0700SS	50W	700mA	47-71.5V	220-240 VAC	>0.9	≥87%	ON/OFF	107.5x76x30	IP 20
LT050C1500SS	50W	1500mA	22-33.5V	220-240 VAC	>0.9	≥86%	ON/OFF	107.5x76x30	IP 20