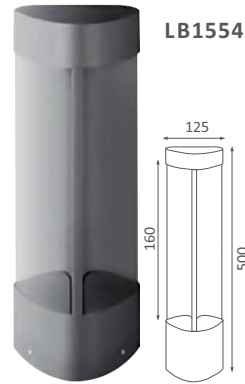
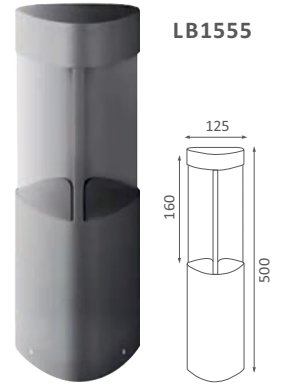


# RUBY



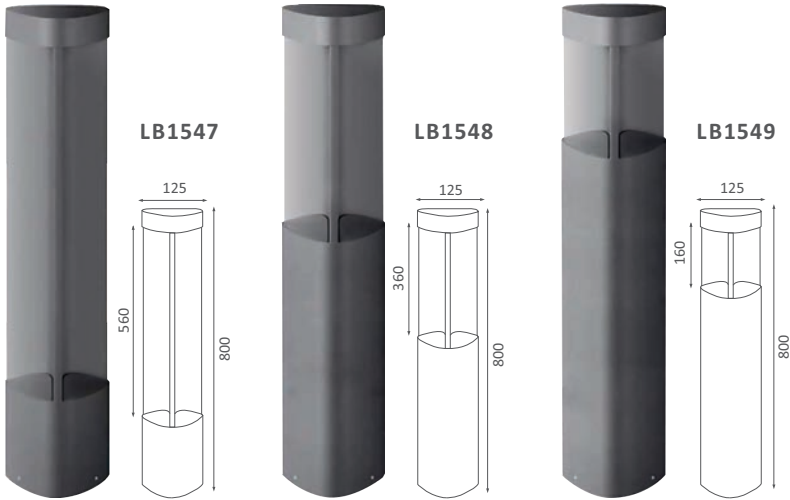
LB1554



LB1555

EPISTAR LED  
POWER: 6W  
CURRENT: 110-240VAC  
CRI: 80  
OUTPUT: 520lm/ 2700K  
LED LIFE TIME: 50,000Hrs  
Material: Aluminum extruded sections;  
Die casting aluminum;  
Diffuser: PC

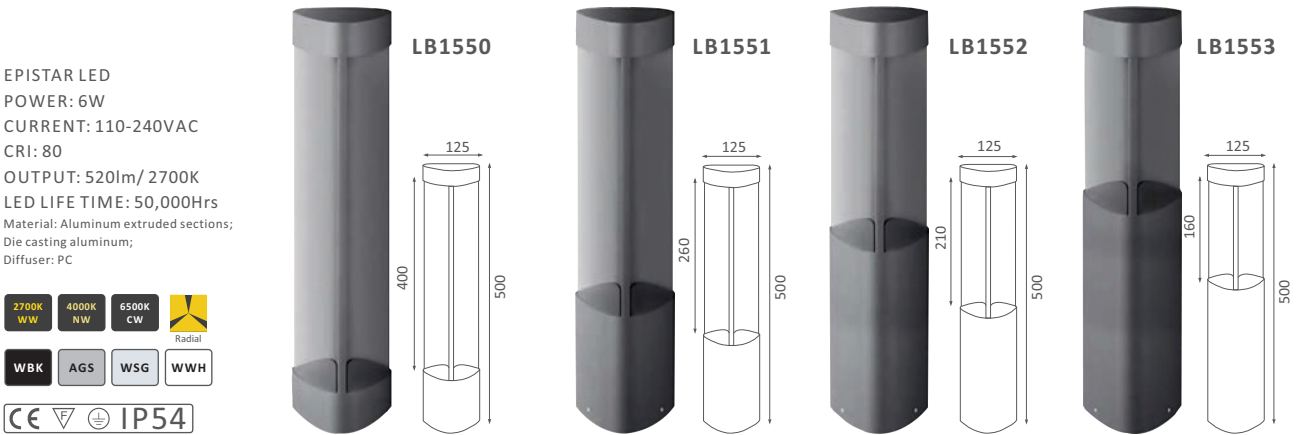




EPISTAR LED  
 POWER: 6W  
 CURRENT: 110-240VAC  
 CRI: 80  
 OUTPUT: 520lm/ 2700K  
 LED LIFE TIME: 50,000Hrs  
 Material: Aluminum extruded sections;  
 Die casting aluminum;  
 Diffuser: PC

2700K WW	4000K NW	6500K CW	
WBK	AGS	WSG	WWH

CE IP54



EPISTAR LED  
 POWER: 6W  
 CURRENT: 110-240VAC  
 CRI: 80  
 OUTPUT: 520lm/ 2700K  
 LED LIFE TIME: 50,000Hrs  
 Material: Aluminum extruded sections;  
 Die casting aluminum;  
 Diffuser: PC

2700K WW	4000K NW	6500K CW	
WBK	AGS	WSG	WWH

CE IP54