

Product features

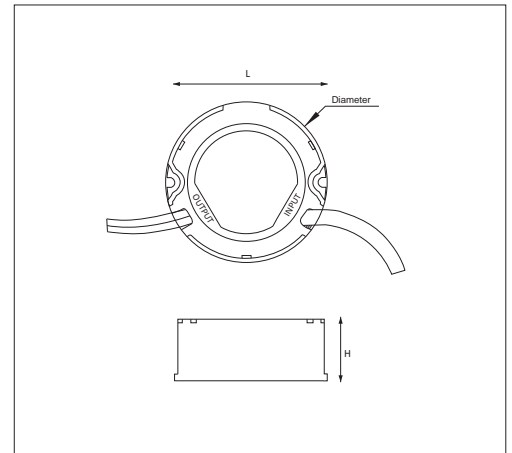
- Installation : Built in
- Power supply connection : Lead wire
- Load connection : Series connection
- Protection : short circuit protection



Standards

- Magnetic Emission EN 55015
- Harmonic EN 61000-3-2
- Flicker EN61000-3-3. Immunity EN 61547
- Safety IEC61347-1, IEC61347-2-13.

Dimensions



Art No	Power	Constant Current	Operating Voltage range	Input Voltage	Power Factor	Efficiency	Function	Dimension (mm)	IP
LT006C0700CS	6W	700mA	5.5-11V	220-240 VAC	>0.8	≥76%	ON/OFF	∅55x22.5	IP 20
LT012C0200CS	12W	200mA	30-60V	220-240 VAC	>0.8	≥85%	ON/OFF	∅55x22.5	IP 20
LT018C0350CS	18W	350mA	34-52V	220-240 VAC	>0.9	≥86%	ON/OFF	∅65x26	IP 20
LT025C0350CS	25W	350mA	47-71.5V	220-240 VAC	>0.9	≥86%	ON/OFF	∅75x26	IP 20
LT025C1400CS	25W	1400mA	12-18V	220-240 VAC	>0.9	≥82%	ON/OFF	∅75x26	IP 20

