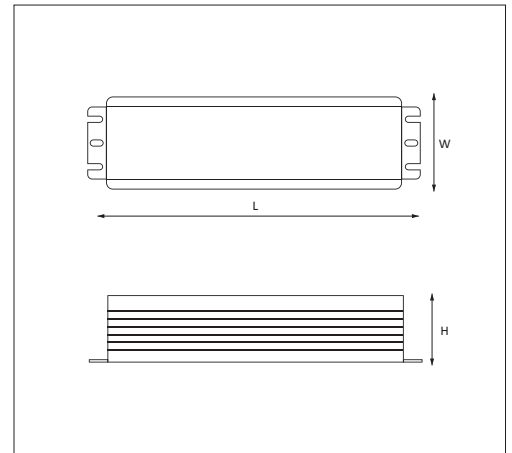


Product features

- Universal AC input/Full range
- Protections: short circuit/OLP/OVP
- Meet EMC standards
- Cooling by free air convection
- 100% full load burn-in test
- High efficiency, long life and high reliability
- IP 67 design for indoor or outdoor
- Suitable for LED lighting



Dimensions



Standards

- EN 61347-1
- EN 61347-2-13
- EN 55015
- EN 61000-3-2
- EN 61000-3-3
- EN 61547

Art No	Power	Output Current	Output Voltage	Input Voltage	Power Factor	Ambient Temperature	Function	Dimension (mm)	IP
LT040C0700Q2	40W	700mA	2-57 VDC	100-240 VAC	≥0.95	-20-50°C	ON/OFF	169x55x30	IP 67
LT060C1050Q2	60W	1050mA	35-57 VDC	100-240 VAC	≥0.95	-20-50°C	ON/OFF	186x64x39	IP 67
LT060C1400Q2	60W	1400mA	26-43 VDC	100-240 VAC	≥0.95	-20-50°C	ON/OFF	186x64x39	IP 67

