

Product features

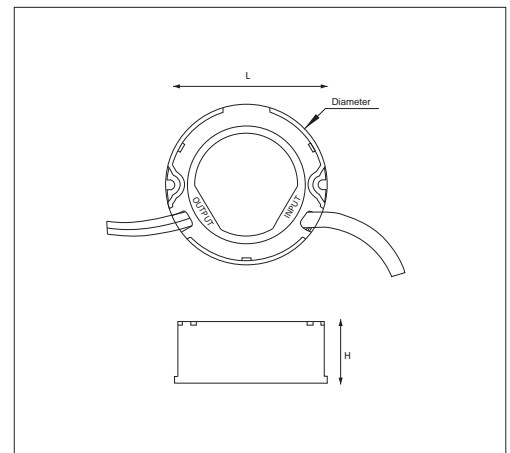
- Installation : Built in
- Power supply connection : Lead wire
- Load connection : Series connection
- Short circuit protection : Thermal protection



Standards

- Magnetic Emission EN 55015
- Harmonic EN 61000-3-2
- Flicker standard EN 61000-3-3.
- Immunity : EN 61547
- Safety : IEC61347-1, IEC61347-2-13
EN60598-1, EN60598-2-6

Dimensions



Art No	Power	Constant Current	Operating Voltage	Input Voltage	Power Factor	Efficiency	Function	Dimension (mm)	IP
LT3X3C0700CS	3x3W	700mA	3-10.5V	100-240 VAC	>0.45	≥70%	ON/OFF	∅55x22.1	IP 65
LT6X3C0700CS	6x3W	700mA	13-26V	100-240 VAC	>0.85	≥82%	ON/OFF	∅65x25.6	IP 65
LT9X3C0700CS	9x3W	700mA	21-36V	100-240 VAC	>0.85	≥83%	ON/OFF	∅75x25.6	IP 65
LT9X1C0350CS	9x1W	350mA	15-31.5V	100-240 VAC	>0.45	≥70%	ON/OFF	∅55x22.1	IP 65
LT18X1C0350CS	18x1W	350mA	30-65V	100-240 VAC	>0.85	≥84%	ON/OFF	∅65x25.6	IP 65